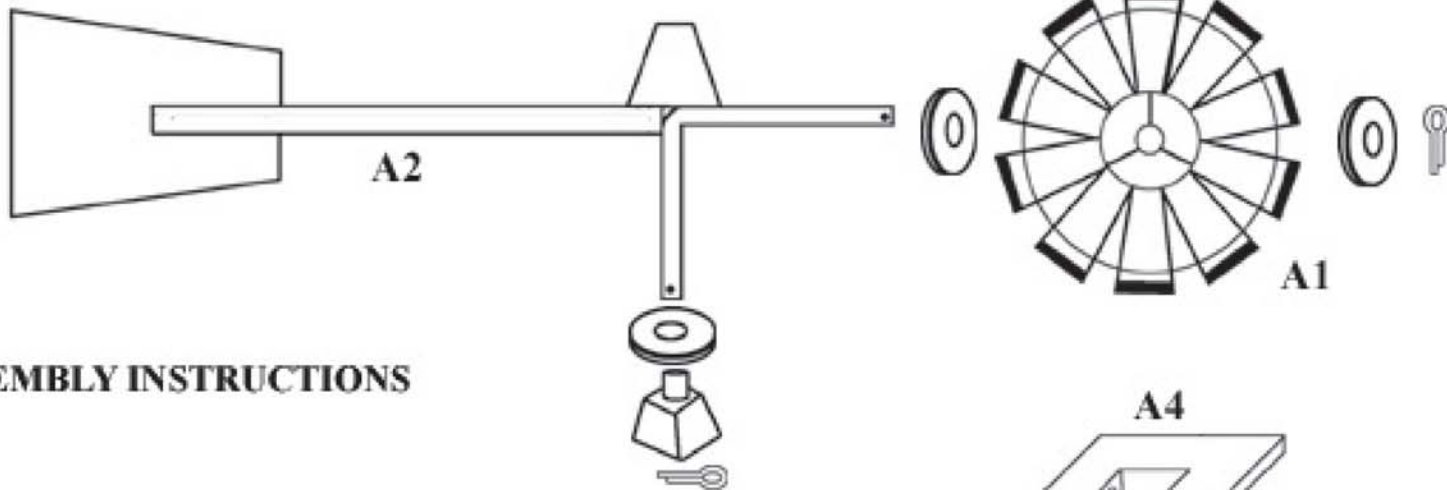




ASSEMBLY INSTRUCTIONS for 4.5 FT. WINDMILL

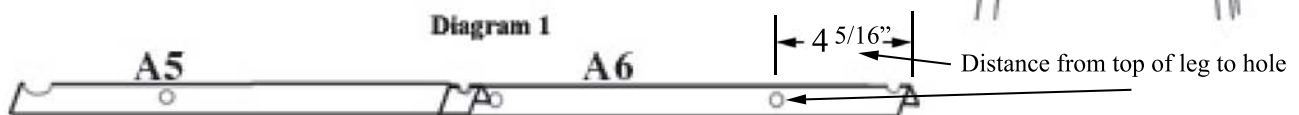
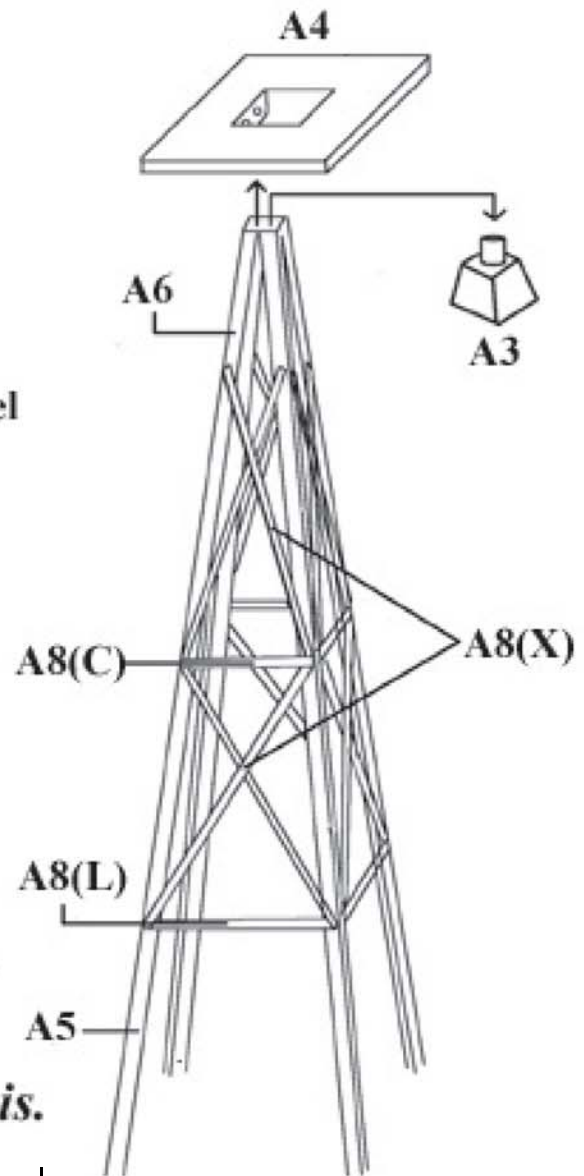


ASSEMBLY INSTRUCTIONS

Loosely bolt together the main four(4) legs. Each leg is made up of two(2) pieces each. The leg(A5) with the large hole goes on the bottom. The leg(A6) goes on top with the holes the same as the diagram below(diagram 1). Fasten the Masthead(A3) to the four(4) legs at the top. Set the Windmill on a flat level surface and bolt the cross braces and X-braces to the outside of the legs and platform.

Place Tail Assembly(A2) on the masthead(A3). A washer and pin is furnished to fasten the wheel(A1) to the shaft(A2). A washer goes on top of masthead then the tail assembly goes through the washer and masthead then place pin into hole in the tail assembly. Drive stakes are furnished to fasten the windmill to the ground. Wheel(A1) must be greased before placing outdoors.

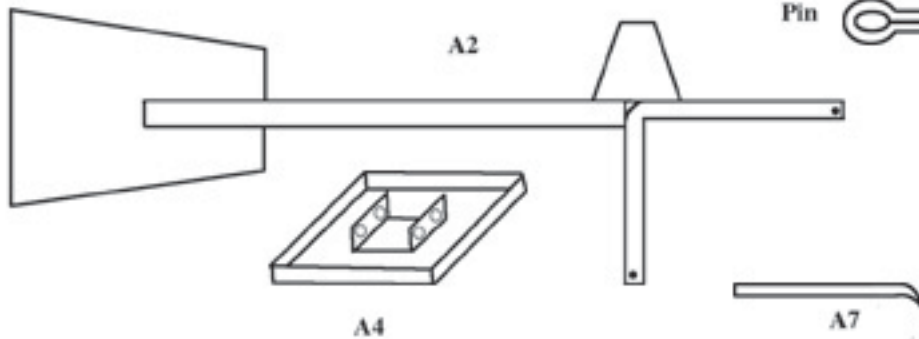
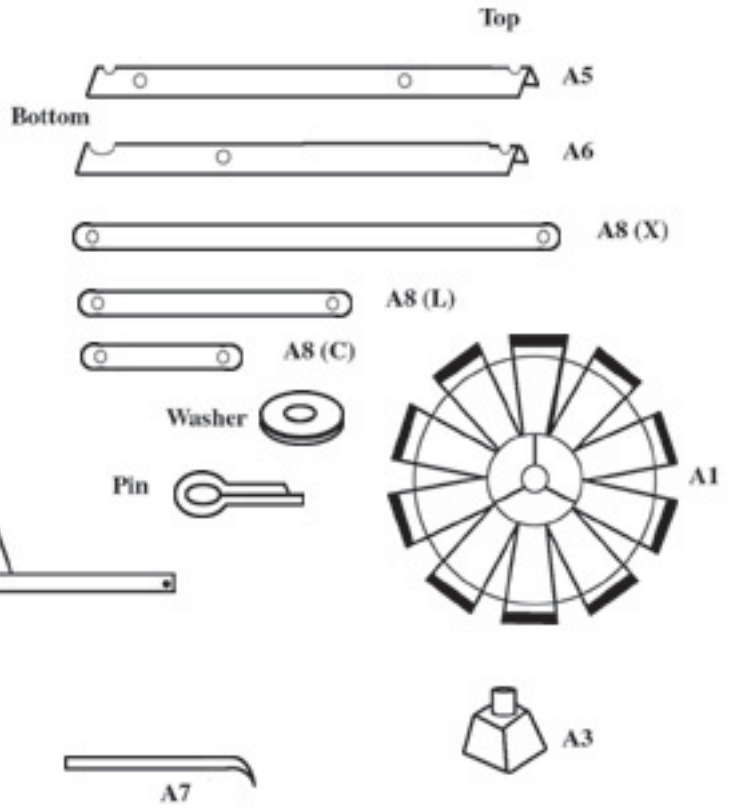
Be sure to grease the wheel on a regular basis.



4.5 FT. WINDMILL KIT

DO NOT TIGHTEN BOLTS UNTIL ALL PARTS ARE ASSEMBLED !

- A1 Wheel-45 complete with (2) 45 WMB Bearings....1 EACH
- A2 Fin.....1 EACH
- A3 Mast Head.....1 EACH
- A4 Platform.....1 EACH
- A5 Bottom Leg (24").....4 EACH
- A6 Top Leg (24").....4 EACH
- A7 Ground Stakes.....4 EACH
- A8(X) "X" (17").....16 EACH
- A8(C) Center Brace(6 3/8").....4 EACH
- A8(L) Lower Brace(10").....4 EACH
- FA Hardware Kit.....1 EACH



<p>1. REPEAT 4 TIMES</p> <p>BOTTOM A5 TOP A6</p> <p>TOP LEG A6 OVERLAPS BOTTOM LEG A5</p>	<p>2. Put legs Outside Masthead A3</p> <p>Build Laying Flat on the Floor</p>
<p>3.</p>	<p>4. A4</p>
<p>5.</p> <p>A8(X)</p>	<p>6. Bolt Goes Through 3 Braces in Middle of Windmill</p> <p>A8(X) A8(C)</p> <p>Use A8(L) for Bottom Brace</p>
<p>7. Be Sure to Grease Wheel</p> <p>A2 Pin Washer</p>	<p>8. Place Pin into hole after Vane(A2) is placed through masthead(A3)</p> <p>Washer</p>
<p>9. Hammer Stake in Ground</p> <p>Recommended to pour cement for good anchor</p>	